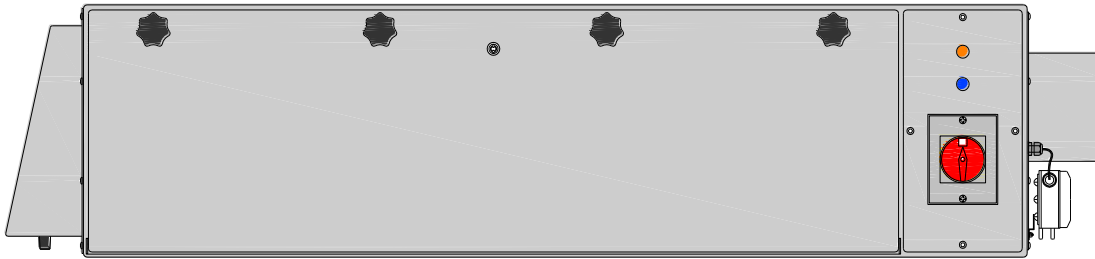


UV-O 1000



TECHNICAL & OPERATION MANUAL





This product contains lamps that produce UV light. Immediate or prolonged exposure to UV light can result in painful eye injury, skin burn, premature skin aging, or skin cancer.

This product creates OZONE (O₃). Inhalation of ozone causes dryness of the mouth, coughing, and irritates the nose, throat, and chest. It may cause difficulty in breathing, headaches and fatigue, and could aggravate existing bronchial conditions including asthma. The characteristic sharp, irritating odor is readily detectable at low concentrations (0.01 to 0.05 ppm).

All rights reserved. No part of this publication may be copied or published by means of printing, photocopying, microfilm or otherwise without prior written consent of the manufacturer. This restriction also applies to the corresponding drawings and diagrams. The information given in this document has been collected for the general convenience of our clients. It has been based on general data pertaining to construction material properties and working methods known to us at the time of issue of the document and is therefore subject at any time to change or amendment and the right to change or amend is hereby expressly reserved. The instructions in this publication only serve as a guideline for installation, use, maintenance and repair of the product mentioned on the cover page of this document. This publication is to be used for the standard model of the product of the type given on the cover page. Thus the manufacturer cannot be held responsible for any damage resulting from the application of this publication to the version actually delivered to you. This publication has been written with great care. However, the manufacturer cannot be held responsible, either for any errors occurring in this publication for their consequences.
TAKE YOUR TIME TO CAREFULLY READ AND UNDERSTAND THE MANUAL BEFORE USING THE PRODUCT.
ALLWAYS KEEP THE MANUAL WITH THE PRODUCT

1 PREFACE

Using this manual

This manual is intended to be used as a work of reference for professional, well trained and authorised users to be able to safely install, use, maintain and repair the product mentioned on the cover of this document. **Please note that it is strongly recommended that training is given by Purified Air Ltd prior to operatives attempting to carry out maintenance or repair work on this product.**

Service and technical support

For information about specific adjustments, maintenance or repair jobs which are not dealt with in this manual, please contact the supplier of the product.

2 SAFETY INSTRUCTIONS AND WARNINGS

General

The manufacturer does not accept any liability for the damage to the product or personal injury caused by non-observance of the safety instructions in this manual, or by negligence during installation, use, maintenance and repair of the product mentioned on the cover of this document or corresponding accessories.

Specific working conditions or used accessories may require additional safety instructions. Immediately contact your supplier if you detect a potential danger when using the product.

The user of the product is always fully responsible for observing the local safety instructions and regulations. Observe all applicable safety instructions and regulations.

User manual

- Everyone working on or with the product must be familiar with the contents of this manual and must strictly observe the instructions therein. The management should instruct the personnel in accordance with the manual and observe all instructions and directions given.
- Never change the order of the steps to perform
- Always keep the manual with the product.

Pictograms and instructions on the product

- The pictograms, warning and instructions attached to the product are part of the safety feature. They must not be covered or removed and must be present and legible during the entire life of the product.
- Immediately replace or repair damaged or illegible pictograms, warnings and instructions.

Users

- The use of this product is exclusively reserved to authorised, trained and qualified users. Temporary personnel and trainees can only use the product under supervision and responsibility of skilled engineers.

Intended use

The product has been designed exclusively for the treating odours which are released during the most common cooking processes in commercial kitchens. Using the product for other purposes is considered contrary to its intended use. The manufacturer accepts no liability for any damage or injury resulting from such use.

Safety features

- All safety features must be correctly mounted and can only be removed for maintenance and repair jobs by skilled and authorised service engineers
- The product must not be used if the safety features are not only partly present or defective.
- The safety features should be regularly checked for their proper functioning, and if required, be immediately repaired.

Modifications

A modification of the product is not allowed.

General Use

WARNING: To guard against injury, basic safety precautions should be observed, including the following:

1. Inspect the product and check it for damage. Verify the function of the safety features.
2. Read and save all notices, warnings and safety instructions received with equipment.
3. **⚠️ WARNING: Avoid exposure to direct or strongly reflected germicidal ultraviolet rays. Germicidal ultraviolet rays are harmful to the eyes and skin.**
4. **⚠️ WARNING: Always disconnect power, to the equipment and unplug, before performing any service or maintenance.**
5. **⚠️ WARNING: Ozone is produced by the product. Ozone can be poisonous at certain concentrations.**
UNIT MUST NOT BE OPERATED WITHOUT KITCHEN EXTRACT FAN RUNNING.
6. **⚠️ CAUTION: Do not operate without proper electrical ground.**
7. Do not alter the construction or design. Do not remove safety labels or devices.
8. Do not use this equipment for other than its intended purpose, as described in the equipment manual.
9. Do not operate the unit if the power cord and/or plug are damaged, or if any other damage to the unit is visible or suspected.
10. Utility power must match power requirements listed on the unit label.
11. **. *Hg - LAMP CONTAINS MERCURY, manage in accordance with disposal laws.**
12. Make sure the room is always sufficiently ventilated, particularly in smaller confined areas.

Use of UV-O 1000

The product is suitable for the filtration of extracted fumes from commercial kitchens. The product should always be used in combination with prefilters that are suitable for kitchen extract.

Service, maintenance and repairs

The maintenance of the UV-O 1000 unit is a very specialist task and should not be carried out by anyone who has not received specialist training by Purified Air Limited

Observe the maintenance intervals given in this manual. Overdue maintenance can lead to high costs for repairs and revisions and can render the guarantee null and void. Always use tools, parts and service techniques that have been approved by the manufacturer. Do not carry out any service, maintenance or repairs on the product before it has been protected against unintended starting. Clean and replace the lamps in accordance with the times indicated in section 6

Maintenance of this manual. **Appropriate PPE equipment should be worn at anytime when there is a possibility that the light emitted from the UV lamps can be viewed or come into contact with skin. If ozone can be smelt in the area where the UV-O 1000 unit is installed, it has been incorrectly installed and should be isolated. Contact Purified Air for further information.**

3 USED PRODUCTS AND THE ENVIRONMENT



Packaging Material

The purpose of the packaging is to protect the product during transport. It consists of the following substances that can be reused:

- (corrugated) cardboard
- untreated wood

Do not dispose of the packaging material in the industrial waste

Product

Products which you would like to dispose of may still contain valuable substances and materials. Do not dispose of the product in the industrial waste.

4 GENERAL DESCRIPTION

This UV-O 1000 can remove, at high efficiency, odorous compounds. The UV-O 1000 is designed to be installed in the extraction ducting of a commercial kitchen downstream of the extraction hood and upstream of the fan.

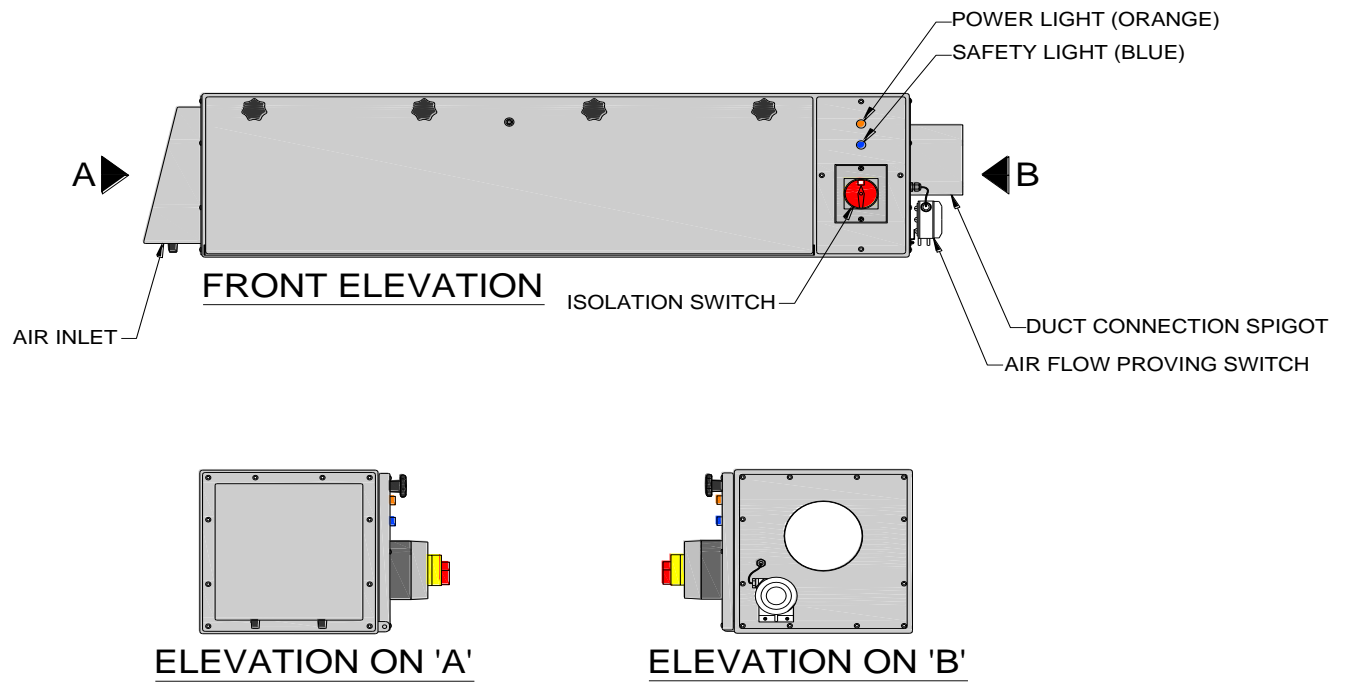


Fig.1



Fig.2
TYPICAL INSTALLATION

5 INSTALLATION

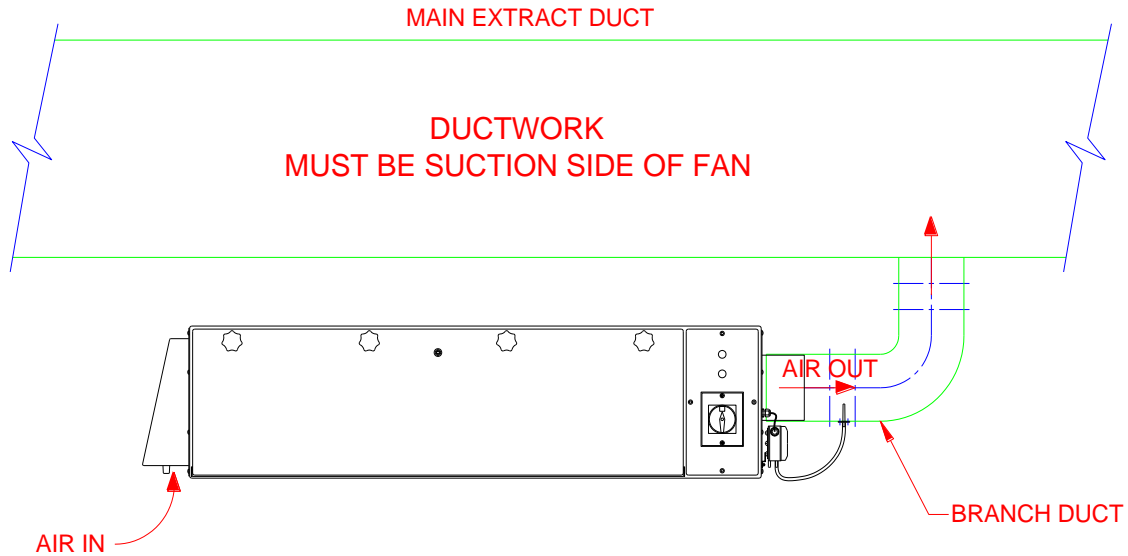


Fig.3

It is recommended that the unit is commissioned by Purified Air Ltd to ensure that the unit is installed correctly and safely. The following are very important safety points that must be adhered.

- **The unit must be installed on the suction side of the fan**
- **The operation of the UV-O 1000 must be linked to the operation of the extract system. This is achieved by connecting the Air Flow Proving Switch as follows:**

Fix the negative pressure probe only (using a 2mm drill and 7mm drill) to the BRANCH DUCT which connects the UV-O 1000 to the main extract duct, connecting this via the PVC tube to port P1 and leave unused port P2 open to atmosphere (see Fig.3 & Fig.4). Also link the power supply between the extract fan and the UV-O 1000.

To give a signal of fan running, wire onto terminals 1 and 3. Set the dial at about 30Pa. DO NOT set below 20Pa.

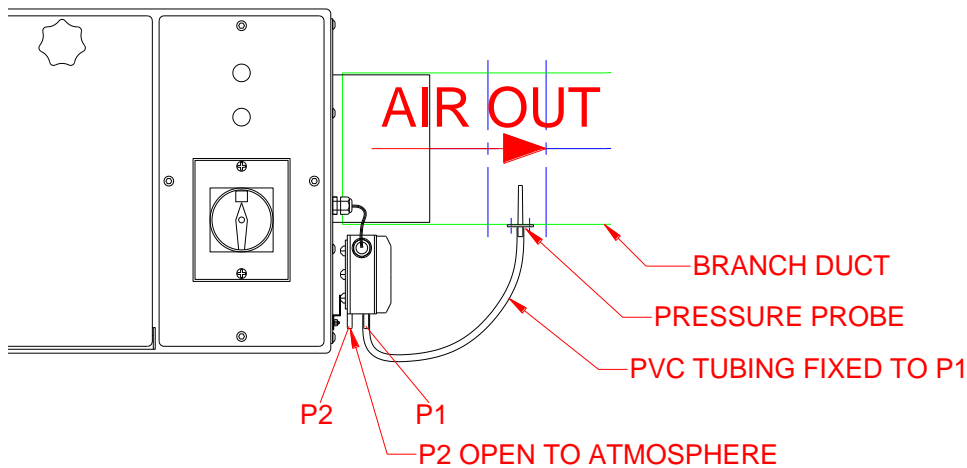


Fig.4

- The UV-O 1000 will produce ozone which is a poisonous gas with a distinctive smell. The kitchen extract system into which the UV-O 1000 system is installed must be sound with no holes that will allow ozone to escape. If ozone is smelt within the premises the UV-O must be switched off immediately.
- Care must be taken that the kitchen extract point is not close to air inlets, windows etc. where elevated ozone levels will cause a problem.
- Rigid ducting should be used to connect the UV-O 1000 unit.

The following points should also be considered.

The UV-O 1000 unit should be located in close proximity to the kitchen extract ducting.

The unit should be positioned with good access to allow for future servicing and maintenance.

If the unit is to be mounted onto a wall the casing can be drilled to allow this. When drilling the case it is important to make sure that the fixing used will not allow any UV light to escape. Alternatively brackets are supplied, that can be fixed to the spigot and inlet plates via the bolts already in place, as shown in Fig.5.

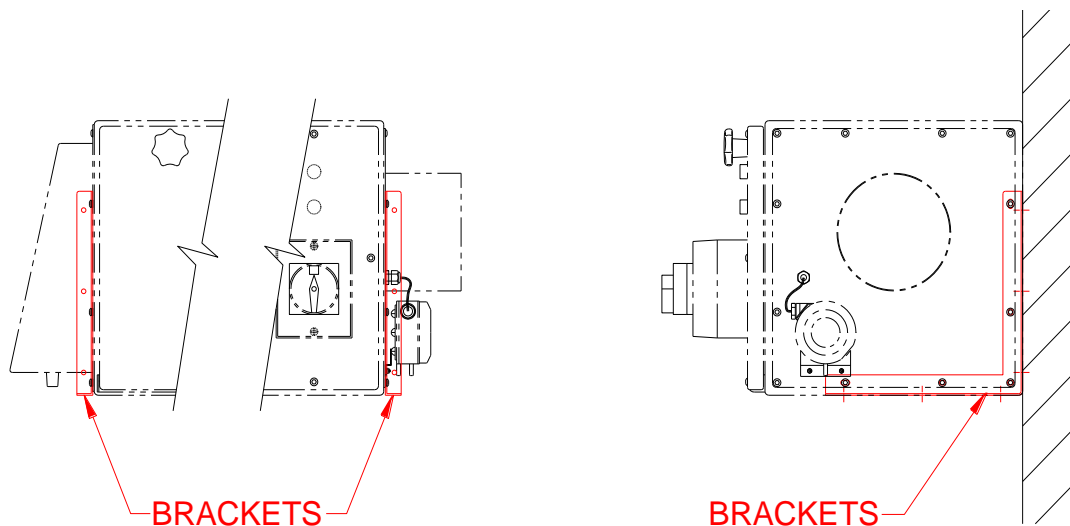


Fig.5

150mm diameter galvanised metal ducting should be used to connect the UV-O 1000 unit to the kitchen extract duct (see Fig.2). The ducting should connect securely to the spigot on the front of the unit and should spigot into the kitchen extract duct.

It must be proved that when the kitchen extract fan is running air passes through the air inlet of the UV-O 1000 and into the kitchen extract duct. **Under no circumstances should the unit be used if airflow is the opposite direction.** The vent on the air inlet hood can be used to regulate the airflow through the system. The air flow needs to be at least sufficient to activate the airflow sensor.

Once the UV-O 1000 has been mounted and the ducting connected the special UV lamps should be inserted. Access is via the front panel which hinges open once the lock and star knobs have been released. The lamp holder can be pulled clear of the unit on a runner system to make installation of the lamps easier. The lamps clip into position and connect with the plugs supplied. Once the lamps have been fitted the front cover can be replaced.

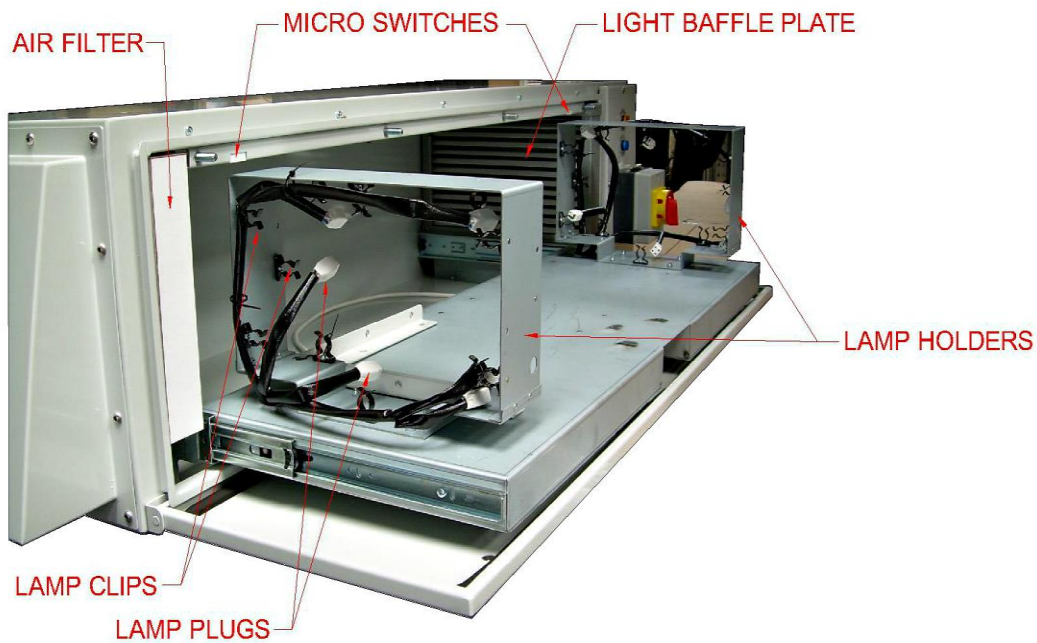
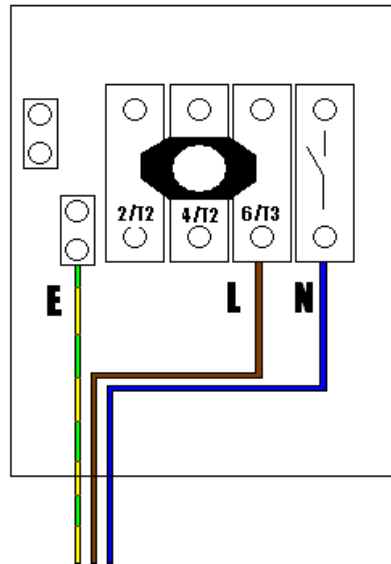


Fig.6

The UV-O 1000 should now be wired into the mains via the isolator on the front of the unit.

ISOLATOR SWITCH



Wiring diagram

Fig.7

Once unit is wired and necessary safety requirements have been adhered to the UVO-1000 can be switched on. The safety switch light indicates that the various safety switches, the airflow and micro switch are engaged and that airflow is present. The power light indicates that power is present.

Note:

To check that all UV lamps are working it is necessary to attach bypass switches, (supplied) to the micro switches on the inside top front of the UV-O 1000 (see Fig.6) to enable the front panel to be open when the unit is in operation.

Appropriate PPE equipment should be worn during this check.

6 MAINTENANCE

The maintenance of the UVO-1000 unit is a very specialist task and should not be carried out by anyone who has not received specialist training by Purified Air Limited

If you carry out the simple maintenance and cleaning described below at the regular intervals, then any problems will mostly be detected and corrected before they result in a total breakdown of the product.

Action	Every 2 months (depending on degree of pollution)	Every 3 months	Every 12 months
Clean UV lamps	X		
Replace UV lamps			X
Replace Filter	X		
Clean the inside of the product and remove dust/grease		X	

Cleaning the UV lamps

UV lamps should be cleaned using alcohol wipes and a lint free cloth. Care should be taken not to handle the lamps with bare hands as this will damage the glass of the lamp.

It is a matter of experience to determine when the product needs to be cleaned, since the nature and the degree of pollution depend strongly on the particular situation, humidity, intensity of use, etc. Nevertheless the UV lamps should be cleaned regularly.

Appropriate PPE equipment should be worn at anytime when there is a possibility that the light emitted from the UV lamps can be viewed or come into contact with skin.



Purified Air Ltd, Lyon House, Lyon Road,
Romford, Essex. RM1 2BG ENGLAND
Tel: 01708 755414 Fax: 01708 721488
e-mail: enq@purifiedair.com
website: www.purifiedair.com

